

Official agent Benelux

www.ipspumps.be



LIGHTWEIGHT SUBMERSIBLE DEWATERING PUMP

EUS
SERIES 50HZ



Features

- High abrasive resistance resin semi-open impeller and material by DuPont
- Double mechanical seal / Designed Agitator
- Auto reset thermal protector / Non air locking
- Auto version for small pit usage

Applications

- Residential, commercial, industrial dewatering and site drainage
- Decorative waterfalls and fountains
- Raw water supply from lakes or rivers
- Sediment removal from small sumps or basins
- Suitable to use in snoring mode

Data Chart

Type	Output		Discharge	F.L.A.		Rated		Maximum		Free Passage	Weight(W/O Cable)	
	HP	kW		1ø	3ø	Head	Cap.	Head	Cap.		1ø-kg	3ø-kg
			Inch	230V	400V	M	LPM	M	LPM	mm		
50EUS-5.05	0.5	0.37	2"	3A	1.1A	9.6	110	12	240	6	11.3	11.3
50(80)EUS-5.10	1	0.75	2"(3")	5.8A	1.9A	12	190	18	375	6	13.9	13.9
80EUS-5.10L	1	0.75	3"	5.8A	1.9A	6	300	10.3	620	6	17.5	17.5
50(80)EUS-5.15	1.5	1.1	2"(3")	9.5A	2.9A	13	250	19	500	6	18	18
50(80)EUS-5.20	2	1.5	2"(3")	13A	3.7A	16	315	21.5	658	6	18.1	18.1

» All single-phase and three-phase pumps can be equipped with float switch upon request.

Specifications

Liquid Temperature	0~40°C (32~104°F)	
Submersible depth	10M	
Motor Part	Frequency	50Hz
	Pole	2 Pole
	Type	Dry Type
	Insulation	0.5~1HP:Class B ; 2HP:Class F
Pump Part	Protection	IP 68
	Protector	Auto-cut
	Bearing	Ball Type
	Mechanical seal	Double Mechanical Seal
	Impeller	Semi-open Impeller



KLIXON
1PH Protector
(Thermal)



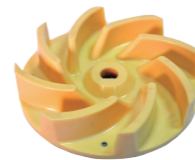
KLIXON
1PH Protector
(optional)
(overheat & overload)



KLIXON
3PH Protector
(overheat, overload,
phase failure)



Agitator



DU PONT Hytel®
Steel coated with
thermoplastic
polyester elastomer

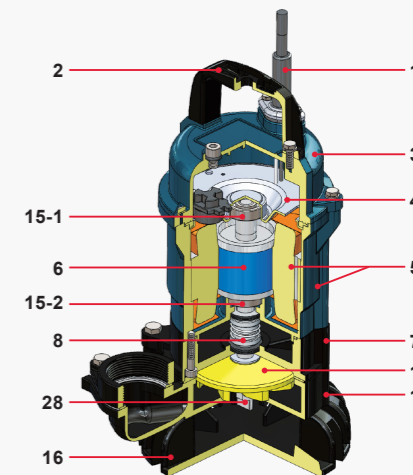


Optional Suction Plate
transfer to residue dewatering pump
available for 0.5HP and 1HP
» Removal of residual water down to 3mm



KLIXON protector provides protection against overheating from all running and stalled rotor conditions including:

- Plugging duty
- Stalling or failure to start
- Heavy overloads
- High ambient
- Ventilation failures

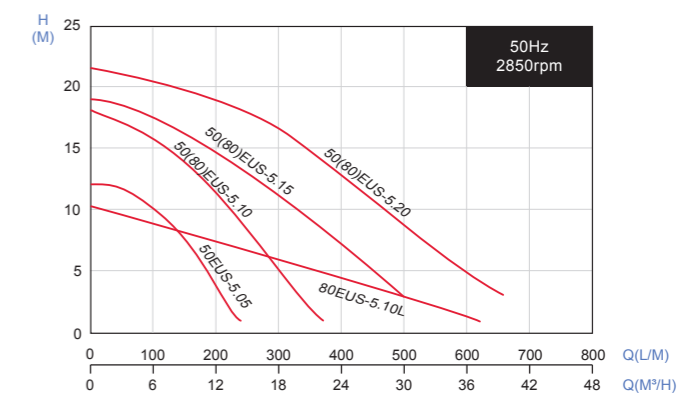


Parts and Material List

No.	Part	Material
1	Cable	H07RN-F
2	Handle	Nylon 6
3	Motor Cover	ADC 12
4	Bracket	Steel
5	Motor Housing + Stator	ADC12+Steel
6	Shaft with Rotor	AISI 410
7	Oil Chamber	0.5~1HP : EN-GJL-200 2HP : AISI7Mg
8	Mechanical Seal	Upper : CA/CE Lower : SIC/SIC
11	Impeller	Hytel
12	Pump Casing	EN-GJL-200
15-1	Upper Bearing	NTN/TPI
15-2	Lower Bearing	NTN/TPI
16	Strainer	PVC
28	Agitator	SMF5030

TPI is a family brand of NTN group.

Performance Curve



All technical information is subject to change without notice.

Dimensions (mm)

Type	A	A1	A2	H	H1	H2	H3
50EUS-5.05	243	94	117	352	200	84	110
50(80)EUS-5.10	279	94	133	377	225	84	121
80EUS-5.10L	279	94	133	412	260	84	121
50(80)EUS-5.15	313	107	155	464	308	94	130
50(80)EUS-5.20	313	107	155	464	308	94	130

